

# HERO-TECH



**HTS-WD SERIES**

**WATER COOLED SCREW TYPE CHILLER**

# HTS-WD SERIES 316 to 1779KW WATER COOLED SCREW

## Water Cooled Screw Chillers

HTS-WD water cooled industrial chillers are designed for water supplying temperature between 5°C to 35°C.

Hero-Tech adopts only international brand components which are strictly tested and selected by our technical team. The chiller units are designed with Siemens PLC controller to ensure control accuracy. The interface is displayed in English. Complete safety devices are equipped aiming at both the chiller unit and your equipments, including alarm for high water temperature, water supply shortage, motor overload, unit running pressure, etc.



### Features

- Siemens PLC and touch screen operation panel
- Germany Bitzer semi-hermetic screw compressor(Taiwan Hanbell for option)
- Compressor 4 grade capacity control
- Multiple power supply voltage for option
- Multiple refrigerant for option, including R22, R407c, R134a, R404a, R507a, etc.
- Shell and tube type condenser
- Shell and tube evaporator
- Refrigerant sight glass
- Refrigeration solenoid valve
- Motor overload cutout
- High and low pressure cutout
- High discharge temperature cutout
- High water temperature alarm
- Water shortage alarm
- Phase sequence and phase missing alarm

### Optional Configuration

- Stainless steel plate type evaporator
- Refrigerant by-pass
- Economizer
- Alarm buzzer
- Main power cable
- Unit main breaker
- Chilled water pump control
- Cooling water pump control
- Alarm output, to stop the cooled equipment automatically while chiller alarm.

### Service

Every Hero-Tech chiller is strictly tested prior to shipment, and with one year warranty under normal use. Extended warranty is available on request.

## Hero-Tech Refrigeration

Tel: +86 755 29545217/81737187

Fax: +86 755 81737144

Email: [sales@szhero-tech.com](mailto:sales@szhero-tech.com)

[www.waterchiller-china.com](http://www.waterchiller-china.com)

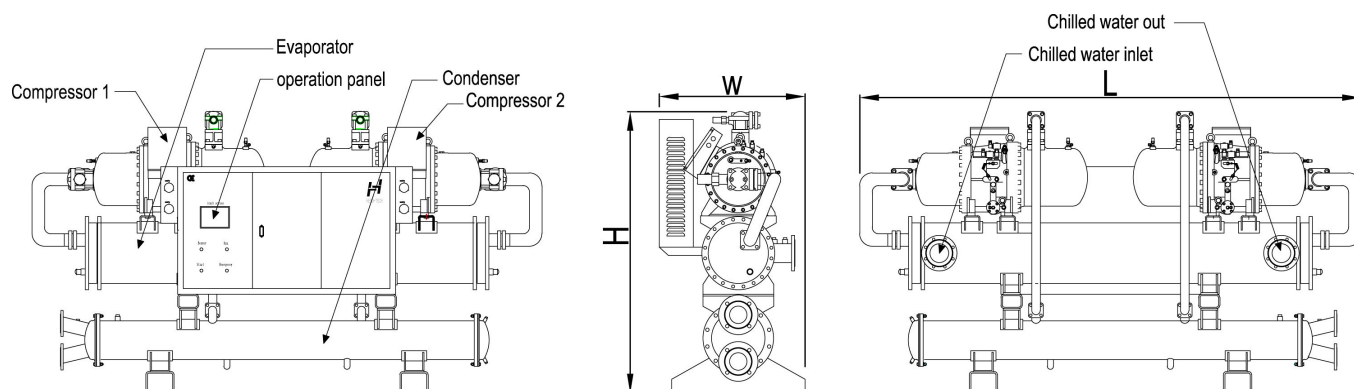
## Specifications

Model (HTS-***)	Cooling capacity (KW)	Compressor motor(KW)	Chilled water		Cooling water		Dimension L/W/H(CM)
			Calibre(inch)	Flow(m <sup>3</sup> /h)	Calibre(Inch)	Flow((m <sup>3</sup> /h))	
100WD	316	38×2	4	52.2	4	64.6	280/78/165
120WD	344	42×2	5	59	5	73.2	295/81/165
152WD	460	56×2	6	79	4×2	98.4	315/85/175
180WD	542	63×2	6	91.2	4×2	112	348/88/185
200WD	626.8	73×2	8	99.4	5×2	123.4	348/90/185
240WD	746.8	88×2	8	124.8	5×2	154	365/112/195
280WD	888.8	103×2	8	151.6	5×2	191	365/122/195
300WD	940	109×2	8	162	6×2	202	375/130/210
360WD	1155.4	131×2	10	196	6×2	248	423/138/215
400WD	1345.6	151×2	10	231.4	8×2	290	423/148/225
440WD	1478	167×2	10	254	8×2	318	435/145/225
480WD	1578	177×2	12	271.4	10×2	340	435/156/230
540WD	1778.4	199×2	12	306	10×2	382	442/165/245

- Compressor type: Semi-hermetic screw
- Refrigerant: R22(R407c as option)
- Power supply: 3PH-380V~415V -50Hz

Design conditions: Cooling water inlet temperature: 25°C, chilled water supply temp: 7°C.

**The above parameters based on standard configuration.**



### Hero-Tech Refrigeration

Tel: +86 755 29545217/81737187

Fax: +86 755 81737144

Email: [sales@szhero-tech.com](mailto:sales@szhero-tech.com)

[www.waterchiller-china.com](http://www.waterchiller-china.com)